

10721

REFERENCE: MPCL 95 CAT. PG20

1.0 GENERAL DESCRIPTION:

MODEL CP-2UK-R200 IS A CONTACTLESS POTENTIOMETER ($\pm 40^\circ$ EFFECTIVE ANGLE) DESIGNED WITH RUGGEDIZED HOUSING AND TEMPERATURE COMPENSATION AND SIGNAL CONDITIONING CIRCUITS. ITS SEALED CONSTRUCTION (EXCEPT SHAFT EXIT) AND OPTIMIZED OUTPUT CHARACTERISTICS MAKE IT SUITABLE FOR APPLICATIONS REQUIRING OPERATION IN SEVERE ENVIRONMENT.

2.0 ENVIRONMENTAL SPECIFICATIONS:

- 2.1 OPERATING TEMPERATURE: -40°C to $+100^\circ\text{C}$
- 2.2 VIBRATION: 10 Gs, 2,000 Hz
- 2.3 SHOCK: 100 Gs, 11 ms
- 2.4 WATER RESISTANT: JIS D 0203 S1 (EXCEPT SHAFT EXIT)

3.0 ELECTRICAL SPECIFICATIONS: (REFER TO FIGURES 2, 3 AND 4)

- 3.1 ELECTRICAL ANGLE: $\pm 40^\circ$ (80° F.S.)
- 3.2 INPUT VOLTAGE (V_{in}): 4.5 Vdc to 10.5 Vdc
- 3.3 OUTPUT VOLTAGE RANGE: 10% to 90% V_{in}
- 3.4 OUTPUT SENSITIVITY: 1% $V_{in}/1^\circ$ NOM. (REF.)
- 3.5 ACCURACY: $\pm 1.7\%$ F.S. @ $T_a = 25^\circ\text{C}$
- 3.6 INSULATION RESISTANCE: 100 meg OHMS @ 500 Vdc
- 3.7 DIELECTRIC STRENGTH: N/A ⁽³⁾
- 3.8 POWER DISSIPATION: 0.2 WATTS MAX.
- 3.9 LOAD IMPEDANCE: 100 KOHMS OR HIGHER
- 3.10 TEMPERATURE EFFECT (DEVIATION IS EXPRESSED IN EQUIVALENT ANGLE): REFER TO FIGURE 4 FOR CLARIFICATION.

| | ($T_a = 0^\circ\text{C}$ to $+60^\circ\text{C}$) | ($T_a = -20^\circ\text{C}$ to $+80^\circ\text{C}$) | ($T_a = -30^\circ\text{C}$ to $+100^\circ\text{C}$) |
|-----------------------------|--|--|---|
| AT 0° POSITION: | 0.4° MAX. | 0.6° MAX. | 0.8° MAX. |
| AT $\pm 20^\circ$ POSITION: | 0.8° MAX. | 1.3° MAX. | 1.6° MAX. |
| AT $\pm 40^\circ$ POSITION: | 1.2° MAX. | 1.9° MAX. | 2.4° MAX. |

4.0 MECHANICAL SPECIFICATIONS:

- 4.1 MECHANICAL ANGLE: 360° (ENDLESS)
- 4.2 TORQUE: 20 g-cm MAX.
- 4.3 WEIGHT: APPROX. 80 g

5.0 ELECTRICAL CONNECTIONS:

SEE FIGURES 1 AND 2.

6.0 MARKING:

- 6.1 UNIT SHALL BE LABELED WITH MIDORI NAME, MODEL NO. AND SERIAL NO.
- 6.2 THE DOT ON SHAFT END SHOWN IN FIGURE 1 IS PROVIDED FOR SETTING THE SHAFT POSITION FOR APPROXIMATE MID POINT (50% V_{in}).

7.0 MATERIAL:

- HOUSING: CARBON STEEL, ZINC COATED
- SHAFT: STAINLESS STEEL
- MOUNTING FLANGE: ALUMINUM, ANODIZED



GUEMISA

Sta. Virgilia 3-b ; 1ºF 28033 Madrid
 Tfno.: 91 764 21 00 Fax.: 91 764 21 32
 Email: info@guemisa.com

UNLESS OTHERWISE SPECIFIED, DIMENSIONS ARE IN mm (in).
 TOLERANCES:
 ANGLES $\pm 1.5^\circ$
 < 10 mm: ± 0.25
 < 100 mm: ± 0.5
 > 100 mm: ± 1

| C.O.N | | SYM | DESCRIPTION | DATE | DRAWN | APPR'D |
|-------|--|-----|--|----------|----------|--------|
| A | | | 1) WAS "CP-2UK-R". (2) WAS 37. (3) WAS 500Vrms, 50/60Hz. | 10/10/00 | T.SUGAWA | |

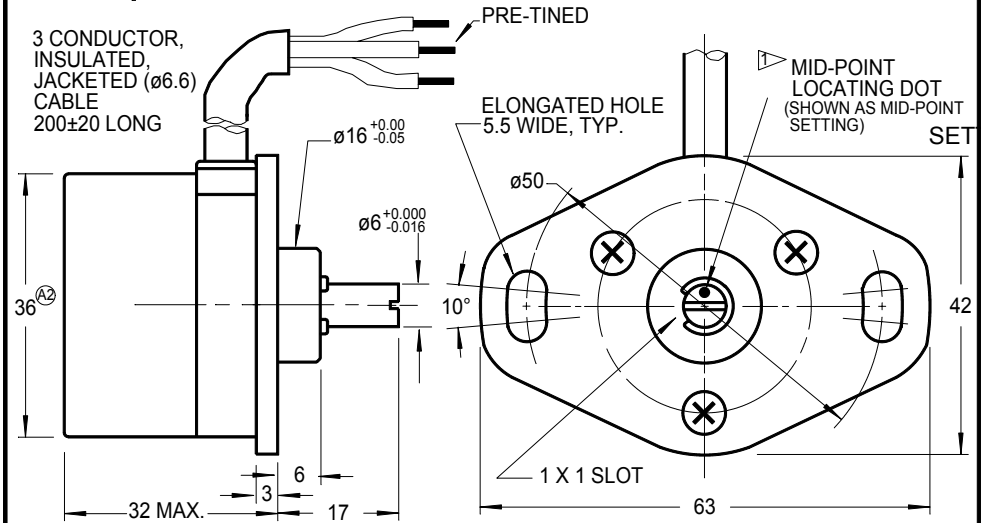


FIGURE 1 OUTLINE DIMENSIONS

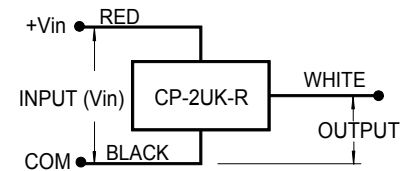


FIGURE 2 SCHEMATIC

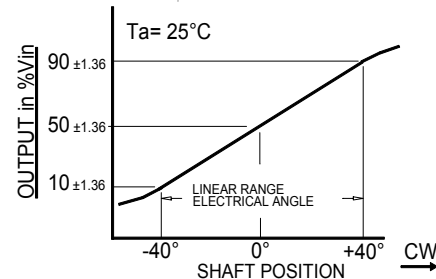


FIGURE 3 OUTPUT CHARACTERISTICS

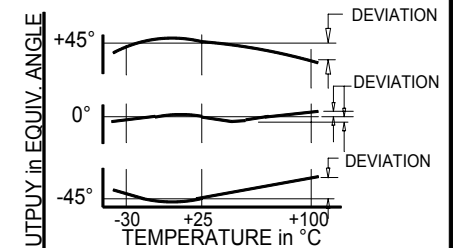


FIGURE 4 TYPICAL TEMPERATURE CHARACTERISTICS

| | | | |
|---|---|--------|-----------------------------|
| DRAWN T. TSUGAWA DATE 1/5/97 | SPECIFICATION DWG FOR MODEL CP-2UK-R200 ^(A1) | | A-MAC-B97 A |
| CHECKED APPROVED DATE APPROVED DATE | CONTACTLESS POSITION SENSOR (SIG. COND./TEMP. COMPENSATED) | | |
| SCALE: | FILE: CP-2UK-R200 | 1 OF 1 | |